

BELL® Weatherproof Boxes, Covers, and Lighting



Standards

- Bell® UPC Vendor Number 050169

Where applicable, Bell® products are engineered in accordance with the standards established by Underwriters Laboratories, C/UL, and the Canadian Standards Association. Dimensional data listed in this catalog is intended for general reference with broad tolerance limits.

2008 NEC

When specifying Bell® Weatherproof boxes and covers, consult the requirements of the National Electrical Code, Article 314.16 (B) and 406.8 (B). Article 314.16 (B) details the NEC requirements for the maximum number of conductors allowed for a Bell® Weatherproof installation. Article 406.8 (B) provides details on the NEC requirements for receptacles being used in wet locations.

For your convenience, we have reprinted the pertinent NEC articles. In all cases, consult your local electrical code and inspector interpretation.

Wiring Capacity: Bell® Weatherproof Boxes and Extensions

Maximum Number of Conductors or Minimum Size Box (Article 314.16 (B))

The purpose of Article 314.16 (B) is to determine the maximum conductor count or the minimum box size required for the job. It also can be used to figure how many other con-

ductors may be added without exceeding the Code-prescribed limit. Most applications have determined the number of conductors. The rules of Article 314.16 (B) are used to determine the Code recognized limit, or smallest box that may be installed.

Selection of any Bell® Weatherproof box or extension for use in any electrical circuit work must take into consideration the maximum number of wires permitted in the box. Safe electrical practice demands that wires not be jammed into boxes because of the possibility of nicks, abrasions, or other damage to the insulating material, creating the potential for ground faults or short circuits.

314.16 Number of Conductors in Outlet, Device, and Junction Boxes, and Conduit Bodies.

Boxes and conduit bodies shall be of sufficient size to provide free space for all enclosed conductors. In no case shall the volume of the box, as calculated in 314.16(A), be less than the fill calculation as calculated in 314.16(B). The minimum volume for conduit bodies shall be as calculated in 314.16(C).

The provisions of this section shall not apply to terminal housings supplied with motors or generators.

Boxes and conduit bodies enclosing conductors 4 AWG or larger shall also comply with the provisions of 314.28.

(B) Box Fill Calculations. The volumes in paragraphs 314.16(B)(1) through (B)(5), as applicable, shall be added together. No allowance shall be required for small fittings such as locknuts and bushings.

(1) Conductor Fill. Each conductor that originates outside the box and terminates or is spliced within the box shall be counted once, and each conductor that passes through the box without splice or termination shall be counted once. Each loop or coil of unbroken conductor not less than twice the minimum length required for free conductors in a 300.14 shall be counted twice. The conductor fill shall be calculated using Table 314.16(B). The conductor, no part of which leaves the box, shall not be counted.

Exception: An equipment grounding conductor or conductors or not over four fixture wires smaller than 14 AWG, or both, shall be permitted to be omitted from the calculations where they enter a box from a domed luminaire (fixture) or similar canopy and terminate within that box.

(2) Clamp Fill. Where one or more internal cable clamps, whether factory or field supplied, are present in the box, a single volume allowance in accordance with Table 314.16(B) shall be made based on the largest conductor present in the box. No allowance shall be required for a cable connector with its clamping mechanism outside the box.

STANDARDS, 2008 NATIONAL ELECTRICAL CODE®

(3) Support Fittings Fill. Where one or more luminaire (fixture) studs or hickey are present in the box, a single volume allowance in accordance with Table 314.16(B) shall be made for each type of fitting based on the largest conductor present in the box.

(4) Device or Equipment Fill. For each yoke or strap containing one or more devices or equipment, a double volume allowance in accordance with Table 314.16(B) shall be made for each yoke or strap based on the largest conductor connected to a device(s) or equipment supported by that yoke or strap. A device or utilization equipment wider than a single 50mm (2 in.) device box as described in table 314.16(A) shall have double volume allowances provided for each gang required for mounting.

(5) Equipment Grounding Conductor Fill. Where one or more equipment grounding conductors or equipment bonding jumpers enter a box, a single volume allowance in accordance with Table 314.16(B) shall be made based on the largest equipment grounding conductor or equipment bonding jumper present in the box. Where an additional set of equipment grounding conductors, as permitted by 250.146(D), is present in the box, an additional volume allowance shall be made based on the largest equipment grounding conductor in the additional set.

Article 406.8 Receptacles in Damp or Wet Locations

(B) Wet Locations.

(1) 15- and 20-Ampere Receptacles in a Wet Location. 15- and 20 ampere, 125- and 250-volt receptacles installed in a wet location shall have an enclosure that is weatherproof whether or not the attachment plug is inserted. All 15- and 20-ampere, 125- and 250-volt nonlocking receptacles shall be listed weather-resistant type.

FPN: The types of receptacles covered by this requirement are identified as 5-15, 5-20, 6-15, and 6-20 in ANSI/NEMA WD 6-2002, *National Electrical Manufacturers Association Standard for Dimensions of Attachment Plugs and Receptacles*.

Exception: 15- and 20-ampere, 125- through 250-volt receptacles installed in a wet location and subject to routine high-pressure spray washing shall be permitted to have an enclosure that is weatherproof when the attachment plug is removed.

(2) Other Receptacles. All other receptacles installed in a wet location shall comply with (B)(2)(a) or (B)(2)(b).

(a) A receptacle installed in a wet location, where the product intended to be plugged into it is not attended while in use, shall have an enclosure that is

weatherproof with the attachment plug cap inserted or removed.

(b) A receptacle installed in a wet location where the product intended to be plugged into it will be attended while in use (e.g., portable tools) shall have an enclosure that is weatherproof when the attachment plug is removed.

BELL® PRODUCTS: GENERAL FEATURES AND BENEFITS

Bell® Weatherproof products all offer these features and benefits:

- Rugged seamless die cast construction that will not allow entry of moisture
- Reinforced connector outlets to provide a secure mechanical installation
- State-of-the-art powder coat paint for maximum weatherability and scratch resistance
- Multi-lingual instructions provided with every product
- Installation hardware and ground screws included where applicable
- Shrink-wrap packaging that keeps all components together
- UPC-A barcoding to help lower transaction costs

Refer to the following pages for more specific information about Bell® products.



Table 314.16(B) Volume Allowance Required per Conductor

Size of Conductor (AWG)	Free Space Within Box for Each Conductor	
	cm ³	in. ³
18	24.6	1.50
16	28.7	1.75
14	32.8	2.00
12	36.9	2.25
10	41.0	2.50
8	49.2	3.00
6	81.9	5.00

Calculate The Minimum Size Box

Article 314-16(B) describes in detail the method of counting wires, as well as clamps, fittings, or devices (i.e., switches, receptacles, combination devices) — by establishing an equivalent conductor-value for each. These values are added together to get a total number of conductors. The minimum size box is the smallest one in cubic inch size that can accommodate that number of conductors.

Points to Remember:

- 1.No matter how many ground wires come into a box, they only count as one conductor within the box.
- 2.Any wire running unbroken through the box counts as one wire.
- 3.Each wire coming into a splice device (crimp or twist-on type) is counted as one wire.
- 4.Each wire coming into the box and connecting to a device counts as one wire of that size.
- 5.Where devices are mounted in the box, the total conductor count must be increased by two for each mounting strap.

Example — Bell® Weatherproof

Supply power to a single switch with #14 conductors. Metal conduit will be used as the wire way. You must provide space for four conductors and one switch, totally a conductor count of 6. Read across the line in Table 314.16(B) for a #14 conductor. Multiply 6 times the free space within a box. For each conductor for a #14 conductor 2.00. This example requires a minimum box of 12.0 cubic inches.

SINGLE-GANG BOXES

DIE CAST ALUMINUM

Applications

- For use in branch circuit wiring in wet, damp, or dry locations
- May be used as a weatherproof junction box, or as a housing for receptacles, switches, and GFCI's

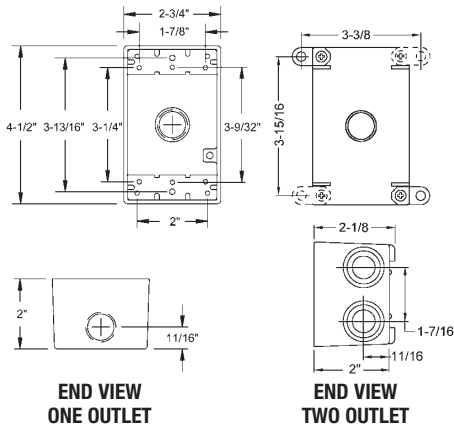
Product Features

- Reinforced connector outlets
- State-of-the-art powder coat finish
- Eight box mounting options with detachable lugs provided
- Two closure plugs included
- Ground screw installed
- Multi-lingual instructions in each package
- Internal threads on hubs comply with NEMA requirements. Hubs accept all threaded fittings and threaded conduit.

Compliances

- – Standard 514A
- – C22.2 No. 18
- NEMA 3R Rated

SINGLE-GANG BOXES: GENERAL DIMENSIONS



5320-0 TO 5320-7
5324-0 TO 5324-5

5321-0 TO 5321-6, 5330-0

5322-0, 5331-0

5323-0, 5332-0

5385-0 TO 5387-0

WEATHERPROOF BOXES,
COVERS AND LIGHTING

ORDERING INFORMATION - DIMENSIONS

2" DEEP, WITH LUGS – THREE THREADED OUTLETS – 4-1/2" x 2-3/4"						
CATALOG NUMBER	CUBIC IN.	DESCRIPTION		PKG. TYPE	STD. PKG.	UPC BAR CODE
		COLOR	OUTLETS			
5320-0	18.3	Gray	3-1/2"	Shrink	20	
5320-1	18.3	White	3-1/2"	Shrink	20	
5320-2	18.3	Bronze	3-1/2"	Shrink	20	
5320-5	18.3	Gray	3-1/2"	Carded	6	
5320-6	18.3	White	3-1/2"	Carded	6	
5320-7	18.3	Bronze	3-1/2"	Carded	6	
5324-0	18.3	Gray	3-3/4"	Shrink	20	
5324-5	18.3	Gray	3-3/4"	Carded	6	

2" DEEP, WITH LUGS – FOUR THREADED OUTLETS – 4-1/2" x 2-3/4"						
CATALOG NUMBER	CUBIC IN.	DESCRIPTION		PKG. TYPE	STD. PKG.	UPC BAR CODE
		COLOR	OUTLETS			
5321-0	18.3	Gray	4-1/2"	Shrink	20	
5321-1	18.3	White	4-1/2"	Shrink	20	
5321-2	18.3	Bronze	4-1/2"	Shrink	20	
5321-5	18.3	Gray	4-1/2"	Carded	6	
5321-6	18.3	White	4-1/2"	Carded	6	
5330-0	18.3	Gray	4-3/4"	Shrink	20	

2" DEEP, WITH LUGS – FIVE THREADED OUTLETS – 4-1/2" x 2-3/4"						
CATALOG NUMBER	CUBIC IN.	DESCRIPTION		PKG. TYPE	STD. PKG.	UPC BAR CODE
		COLOR	OUTLETS			
5322-0	18.3	Gray	5-1/2"	Shrink	20	
5331-0	18.3	Gray	5-3/4"	Shrink	20	
5323-0	18.3	Gray	5-1/2"	Shrink	20	
5332-0	18.3	Gray	5-3/4"	Shrink	20	

2-5/8" DEEP, WITH LUGS – THREE THREADED OUTLETS – 4-1/2" x 2-3/4"						
CATALOG NUMBER	CUBIC IN.	DESCRIPTION		PKG. TYPE	STD. PKG.	UPC BAR CODE
		COLOR	OUTLETS			
5385-0	22.5	Gray	3-1/2"	Shrink	15	
5386-0	22.5	Gray	3-3/4"	Shrink	15	
5387-0	22.5	Gray	3-1"	Shrink	15	



C6

SINGLE-GANG EXTENSIONS AND ADAPTERS

DIE CAST ALUMINUM

WEATHERPROOF BOXES, COVERS AND LIGHTING

Applications

- Used to provide additional capacity needed for NEC box fill requirements
- Adapters allow installer to add "take-offs" to new boxes/devices

Product Features

- Installation hardware, gasket, and ground screw provided
- Closure plugs provided for two and six outlet styles
- Internal threads and hubs comply with NEMA requirements. Hubs accept all threaded fittings and threaded conduit

Compliances

- – Standard 514A
- – C22.2 No. 18
- NEMA 3R Rated



5406-0



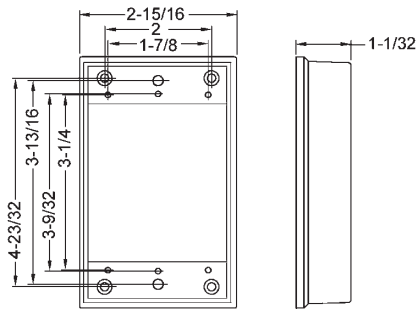
5399-0, 5403-0



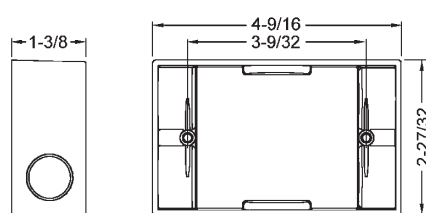
5400-0 TO 5400-5
5405-0

EXTENSIONS

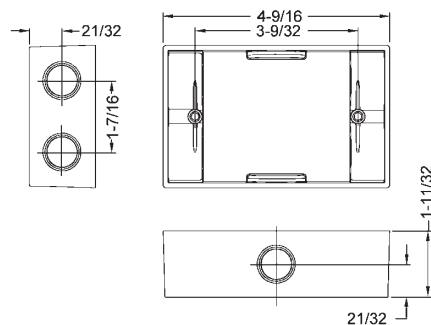
CAT. NO. 5406-0



CAT. NO's. 5399-0, 5403-0



5400-0 SERIES



ORDERING INFORMATION - DIMENSIONS

SINGLE-GANG EXTENSION – 4-1/2" x 2-3/4" x 1" DEEP

CATALOG NUMBER	CUBIC IN.	DESCRIPTION		PKG. TYPE	STD. PKG.	UPC BAR CODE
		COLOR	OUTLETS			
5406-0	9.5	Gray	—	Shrink	25	

No ground screw provided

SINGLE-GANG – EXTENSION ADAPTERS – 5-1/4" x 3-1/2" x 1-1/2" DEEP – TWO THREADED OUTLETS

CATALOG NUMBER	CUBIC IN.	DESCRIPTION		PKG. TYPE	STD. PKG.	UPC BAR CODE
		COLOR	OUTLETS			
5399-0	9.5	Gray	2-1/2"	Shrink	20	
5403-0	11.0	Gray	2-3/4"	Shrink	20	

Includes one closure plug

SINGLE-GANG – EXTENSION ADAPTERS – 5-1/4" x 3-1/2" x 1-1/2" DEEP – SIX THREADED OUTLETS

CATALOG NUMBER	CUBIC IN.	DESCRIPTION		PKG. TYPE	STD. PKG.	UPC BAR CODE
		COLOR	OUTLETS			
5400-0	9.5	Gray	6-1/2"	Shrink	20	
5400-5	9.5	Gray	6-1/2"	Carded	6	
5405-0	11.0	Gray	6-3/4"	Shrink	20	

Includes three closure plugs



SINGLE-GANG EXTENSION ADAPTERS

DIE CAST ALUMINUM



Applications

- Used to provide additional capacity needed for NEC box fill requirements
- Allows installer to add "take-offs" to new boxes/devices

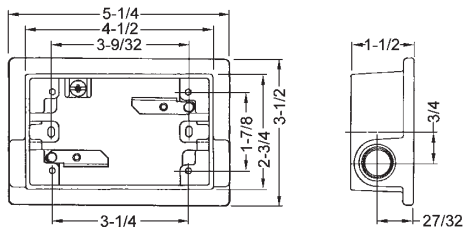
Product Features

- Unique swing-arm design speeds installation by allowing the installer better visibility when lining up and threading fasteners
- Rugged die cast construction
- Reinforced connector outlets
- State-of-the-art powder coat finish
- Installation hardware, ground screw and gasket provided
- Multi-lingual instructions in each package
- Internal threads and hubs comply with NEMA requirements. Hubs accept all threaded fittings and threaded conduit

Compliances

-  – Standard 514A
-  – C22.2 No. 18
- NEMA 3R Rated

SWING ARM EXTENSION ADAPTERS CAT. NOS. 5412-0 TO 5415-0



5412-0, 5413-0



5414-0, 5415-0

WEATHERPROOF BOXES,
COVERS AND LIGHTING

ORDERING INFORMATION - DIMENSIONS

SWING-ARM – EXTENSION ADAPTERS – 5-1/4" x 3-1/2" x 1-1/2" DEEP – TWO THREADED OUTLETS

CATALOG NUMBER	CUBIC IN.	DESCRIPTION		PKG. TYPE	STD. PKG.	UPC BAR CODE
		COLOR	OUTLETS			
5412-0	13.8	Gray	2-1/2"	Shrink	10	
5413-0	13.8	Gray	2-3/4"	Shrink	10	

Includes one closure plug

SWING-ARM – EXTENSION ADAPTERS – 5-1/4" x 3-1/2" x 1-1/2" DEEP – SIX THREADED OUTLETS

CATALOG NUMBER	CUBIC IN.	DESCRIPTION		PKG. TYPE	STD. PKG.	UPC BAR CODE
		COLOR	OUTLETS			
5414-0	12.8	Gray	6-1/2"	Shrink	10	
5415-0	12.8	Gray	6-3/4"	Shrink	10	

Includes three closure plugs



C8

TWO-GANG BOXES

DIE CAST ALUMINUM

WEATHERPROOF BOXES, COVERS AND LIGHTING

Applications

- For use in branch circuit wiring in wet, damp, or dry locations
- Can be used as a weatherproof junction box, or as a housing for receptacles, switches, and GFCI's

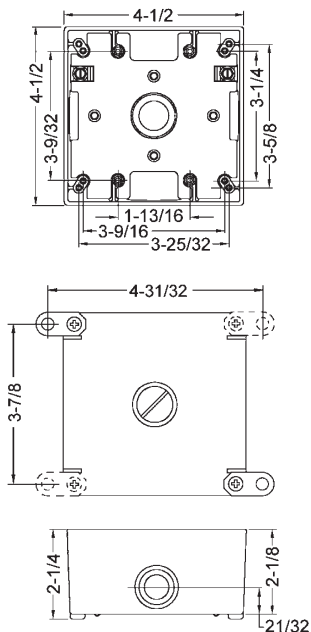
Product Features

- Seamless die cast aluminum construction
- Reinforced connector outlets
- State-of-the-art powder coat finish
- Eight box mounting options with detachable lugs provided
- Two closure plugs included
- Ground screws installed
- Multi-lingual instructions in each package
- Internal threads on hubs comply with NEMA requirements. Hubs accept all threaded fittings and threaded conduit.

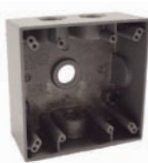
Compliances

- - Standard 514A
- - C22.2 No. 18
- NEMA 3R Rated

TWO-GANG BOXES GENERAL DIMENSIONS



5333-0, 5341-0



5335-0, 5343-0



5337-0 TO 5337-5,
5345-0



5334-0, 5342-0

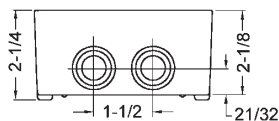
ORDERING INFORMATION - DIMENSIONS

2" DEEP, WITH LUGS – THREE THREADED OUTLETS – 4-1/2" x 4-1/2"						
CATALOG NUMBER	CUBIC IN.	DESCRIPTION		PKG. TYPE	STD. PKG.	UPC BAR CODE
		COLOR	OUTLETS			
5333-0	32.0	Gray	3-1/2"	Shrink	12	
5341-0	32.0	Gray	3-3/4"	Shrink	12	

2" DEEP, WITH LUGS – FOUR THREADED OUTLETS – 4-1/2" x 4-1/2"						
CATALOG NUMBER	CUBIC IN.	DESCRIPTION		PKG. TYPE	STD. PKG.	UPC BAR CODE
		COLOR	OUTLETS			
5335-0	31.0	Gray	4-1/2"	Shrink	12	
5343-0	31.0	Gray	4-3/4"	Shrink	12	

2" DEEP, WITH LUGS - FIVE THREADED OUTLETS - 4-1/2" x 4-1/2"						
CATALOG NUMBER	CUBIC IN.	DESCRIPTION		PKG. TYPE	STD. PKG.	UPC BAR CODE
		COLOR	OUTLETS			
5337-0	31.0	Gray	5-1/2"	Shrink	12	
5337-1	31.0	White	5-1/2"	Shrink	12	
5337-2	31.0	Bronze	5-1/2"	Shrink	12	
5337-5	31.0	Gray	5-1/2"	Carded	4	
5345-0	31.0	Gray	5-3/4"	Shrink	12	
5334-0	32.0	Gray	5-1/2"	Shrink	12	
5342-0	32.0	Gray	5-3/4"	Shrink	12	

END VIEW FOR STYLES WITH TWO OUTLETS ON ONE END



TWO-GANG BOXES

DIE CAST ALUMINUM



Applications

- For use in branch circuit wiring in wet, damp, or dry locations
- Can be used as a weatherproof junction box, or as a housing for receptacles, switches, and GFCI's

Product Features

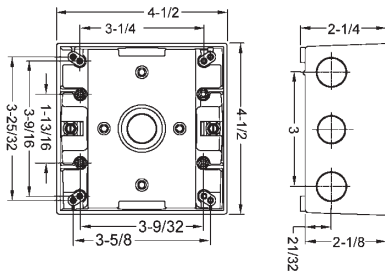
- Seamless die cast aluminum construction
- Reinforced connector outlets
- State-of-the-art powder coat finish
- Eight box mounting options with detachable plugs provided
- Two closure plugs included
- Ground screws installed
- Multi-lingual instructions in each package
- Internal threads and hubs comply with NEMA requirements. Hubs accept all threaded fittings and threaded conduit

Compliances

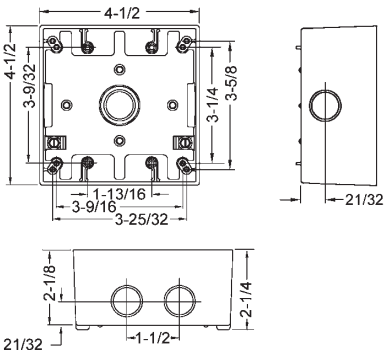
-  – Standard 514A
-  – C22.2 No. 18
- NEMA 3R Rated

TWO-GANG BOXES WITH 7 OUTLETS

CAT. NOS. 5340-0, 5348-0



CAT. NOS. 5338-0, 5346-0



5340-0, 5348-0



5338-0, 5346-0



5388-0, 5389-0

WEATHERPROOF BOXES,
COVERS AND LIGHTING

ORDERING INFORMATION - DIMENSIONS

2" DEEP, WITH LUGS – SEVEN THREADED OUTLETS – 4-1/2" x 4-1/2"						
CATALOG NUMBER	CUBIC IN.	DESCRIPTION		PKG. TYPE	STD. PKG.	UPC BAR CODE
		COLOR	OUTLETS			
5340-0	30.2	Gray	7-1/2"	Shrink	12	
5348-0	30.2	Gray	7-3/4"	Shrink	12	
5338-0	31.0	Gray	7-1/2"	Shrink	12	
5346-0	31.0	Gray	7-3/4"	Shrink	12	

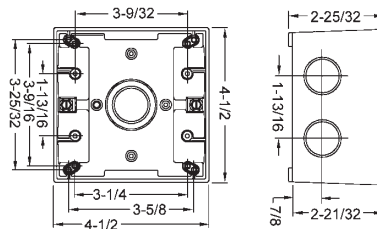
Includes two closure plugs

2-5/8" DEEP, WITH LUGS – FIVE THREADED OUTLETS – 4-1/2" x 4-1/2"						
CATALOG NUMBER	CUBIC IN.	DESCRIPTION		PKG. TYPE	STD. PKG.	UPC BAR CODE
		COLOR	OUTLETS			
5388-0	36.0	Gray	5-3/4"	Shrink	9	
5389-0	36.0	Gray	5-1"	Shrink	9	

Includes two closure plugs

TWO-GANG BOXES WITH 5 OUTLETS

CAT. NOS. 5388-0, 5389-0



C10

MULTI-GANG BOXES AND EXTENSIONS

DIE CAST ALUMINUM

WEATHERPROOF BOXES, COVERS AND LIGHTING

Two-Gang Extension Application

- Used to provide additional capacity needed for NEC box fill requirements

Two-Gang Extension Product Features

- Rugged seamless construction
- State-of-the-art powder coat finish
- Installation hardware and gasket provided
- Multi-lingual instructions in each package

Two-Gang Extension Compliances

- – Standard 514A
- – C22.2 No. 18
- NEMA 3R Rated

Three-Gang Box Applications

- For use in branch circuit wiring in wet, damp, or dry locations
- Can be used as a weatherproof junction box, or as a housing for receptacles, switches, and GFCI's

Three-Gang Box Product Features

- Seamless die cast aluminum construction
- Reinforced connector outlets
- State-of-the-art powder coat finish
- Eight box mounting options with detachable lugs provided
- Four closure plugs included
- Ground screws installed
- Multi-lingual instructions in each package
- Internal threads and hubs comply with NEMA requirements. Hubs accept all threaded fittings and threaded conduit

Three-Gang Box Compliances

- – Standard 514A
- – C22.2 No. 18
- NEMA 3R Rated



5407-0



5390-0

ORDERING INFORMATION - DIMENSIONS

TWO-GANG EXTENSION – 4-21/32" x 4-21/32" x 1-1/32" DEEP

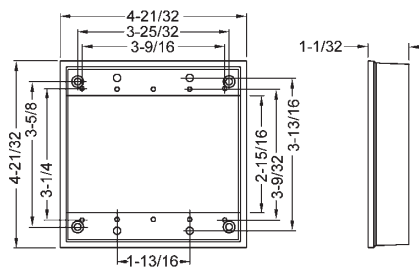
CATALOG NUMBER	CUBIC IN.	DESCRIPTION		PKG. TYPE	STD. PKG.	UPC BAR CODE
		COLOR	OUTLETS			
5407-0	16.0	Gray	—	Shrink	10	

THREE-GANG BOX – 2-5/8" DEEP, WITH LUGS – SEVEN THREADED OUTLETS – 4-1/2" x 6-3/8"

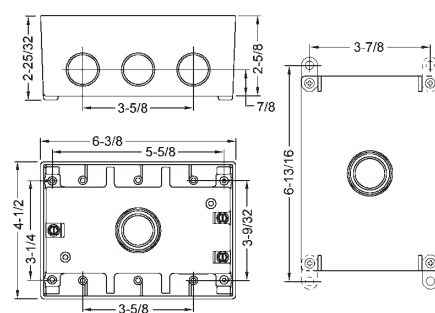
CATALOG NUMBER	CUBIC IN.	DESCRIPTION		PKG. TYPE	STD. PKG.	UPC BAR CODE
		COLOR	OUTLETS			
5390-0	55.0	Gray	7-3/4"	Boxed	1	

Includes four closure plugs

TWO-GANG EXTENSION



THREE-GANG BOX



ROUND SPLICE BOXES AND EXTENSION ADAPTERS

DIE CAST ALUMINUM

4" Round Splice Boxes

Applications

- For use in branch circuit wiring in wet, damp, or dry locations
- Designed for use as a weatherproof junction box, and may be used with Bell® round cluster covers and round lampholder combinations

4" Round Splice Boxes

Product Features

- Rugged die cast construction
- Reinforced connector outlets
- State-of-the-art powder coat finish
- Cast-in mounting lugs provide fast, secure installation
- Includes four closure plugs, installed ground screw, and multi-lingual instructions

4" Round Splice Boxes

Compliances

- – Standard 514A
- – C22.2 No. 18
- NEMA 3R Rated

4" Round Extension Adapters

Applications

- For use with 4" round splice boxes
- Extension adapters are used to increase box capacity and allow the installer to add "take-offs" to new boxes/devices

4" Round Extension Adapters

Product Features

- Rugged die cast construction
- Reinforced connector outlets
- State-of-the-art powder coat finish
- Includes installation hardware, closure plugs, gasket, and multi-lingual instructions

4" Round Extension Adapters

Compliances

- – Standard 514A
- – C22.2 No. 18
- NEMA 3R Rated



5361-0 TO 5361-7,
5372-0



5363-0

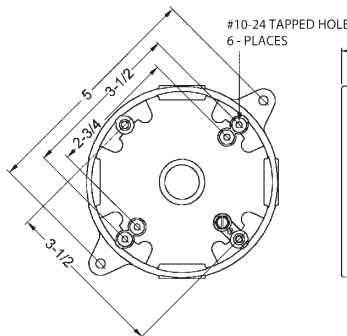
WEATHERPROOF BOXES,
COVERS AND LIGHTING

ORDERING INFORMATION - DIMENSIONS

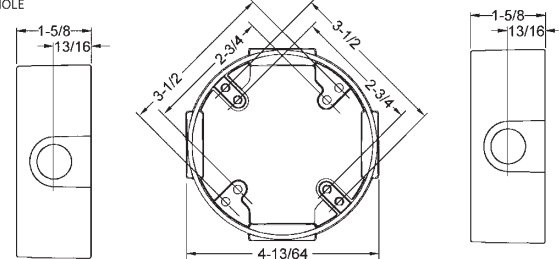
4" ROUND SPLICE BOX – FIVE THREADED OUTLETS – 1-1/2" DEEP						
CATALOG NUMBER	CUBIC IN.	DESCRIPTION		PKG. TYPE	STD. PKG.	UPC BAR CODE
		COLOR	OUTLETS			
5361-0	16.0	Gray	5-1/2"	Shrink	16	
5361-1	16.0	White	5-1/2"	Shrink	16	
5361-2	16.0	Bronze	5-1/2"	Shrink	16	
5361-5	16.0	Gray	5-1/2"	Carded	6	
5361-6	16.0	White	5-1/2"	Carded	6	
5361-7	16.0	Bronze	5-1/2"	Carded	6	
5372-0	16.0	Gray	5-3/4"	Shrink	16	

4" ROUND EXTENSION ADAPTER – FOUR THREADED OUTLETS – 1-1/2" DEEP						
CATALOG NUMBER	CUBIC IN.	DESCRIPTION		PKG. TYPE	STD. PKG.	UPC BAR CODE
		COLOR	OUTLETS			
5363-0	16.3	Gray	4-1/2"	Shrink	16	

4" ROUND SPLICE BOXES



4" ROUND EXTENSION ADAPTERS



C12

ROUND COVER

WEATHERPROOF BOXES,
COVERS AND LIGHTING


Application

- For use with 4" round splice boxes

Product Features

- Rugged metallic construction
- State-of-the-art powder coat finish
- Includes installation hardware, gasket, and multi-lingual instructions

Compliances

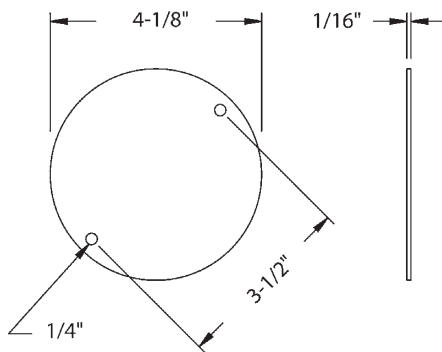
-  – Standard 514A
– C22.2 No. 18
- NEMA 3R Rated



5374-0

ORDERING INFORMATION - DIMENSIONS

4" ROUND COVER



4" ROUND COVER

CATALOG NUMBER	DESCRIPTION		PKG. TYPE	STD. PKG.	UPC BAR CODE
	COLOR	OUTLETS			
5374-0	Gray	Blank	Shrink	30	



SPECIALTY BOXES AND COVERS

Weatherproof Housing Application

- For telephone installations at pool-side, patio, garden or garage

Weatherproof Housing Product Features

- Kit comes complete — all you add is the telephone jack
- Rugged seamless die cast construction will not allow entry of moisture
- State-of-the-art powder coated finish provides for maximum weather-ability and scratch resistance
- Multi-lingual installation instructions included



5378RAC

WEATHERPROOF BOXES,
COVERS AND LIGHTING

ORDERING INFORMATION - DIMENSIONS

WEATHERPROOF HOUSING – 2" DEEP, TELEPHONE USE					
CATALOG NUMBER	DESCRIPTION		PKG. TYPE	STD. PKG.	UPC BAR CODE
	COLOR	OUTLETS			
5378RAC	Gray	3-1/2"	Box	25	

Yoke, gasket and cord grip connectors included

C14

SPECIALTY BOXES AND COVERS

WEATHERPROOF BOXES, COVERS AND LIGHTING

Mini Snap Cover and Receptacle Application

- For use when a convenience outlet is required in a small space

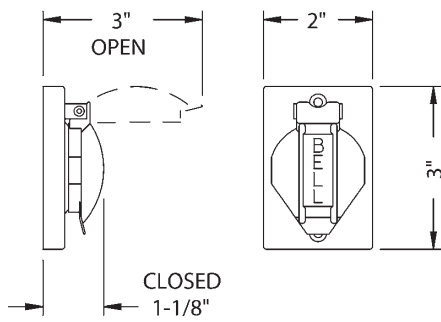
Mini Snap Cover and Receptacle Product Features

- State-of-the-art powder coat finish
- Self-closing lid assures weatherproof protection when the receptacle is not in use



5185-0

COVER CAT. NO. 5185-0



ORDERING INFORMATION - DIMENSIONS

MINI SNAP COVER AND RECEPTACLE – 3" x 2" x 1-1/8" DEEP

CATALOG NUMBER	CUBIC IN.	DESCRIPTION		PKG. TYPE	STD. PKG.	UPC BAR CODE
		COLOR	OUTLETS			
5185-0	—	Gray	Cover & 125V 15A receptacle	Polybag	10	



RAYNTITE[®] M.R. SRT SINGLE-GANG WEATHERPROOF-WHILE-IN-USE COVERS

POLYCARBONATE


Application

- Rayntite[®] M.R. SRT covers are designed for use whenever weatherproof protection is required while an outlet is in use

Product Features

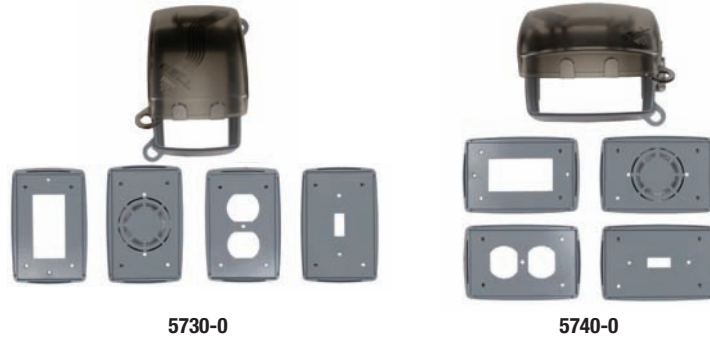
- Modularity: 6 SKU's cover almost every application — no need to tie-up money and shelf space stocking multiple SKU's
- Unique snap fit design speeds installation. No more fumbling with open covers
- High-impact polycarbonate construction: Virtually indestructible
- No need to worry about rust and corrosion
- Tinted lid: Hides dust, dirt, and scratches
- Padlockable design: Prevents tampering and accidental disconnects
- Tri-lingual instructions: One product for all North American markets
- Covers can be either device or box mounted — allows for installation flexibility
- Meets NEC 406.8 (B) requirements — no need to worry about Code compliances

Compliances

-  UL US
- NEMA 3R Rated
- Meets NEC 406.8 (B) Requirements

Reference Data

- Canadian Patent 2,092, 516
- United States Patents
5,981, 875
5,533, 637
5,456, 377
5,228, 584

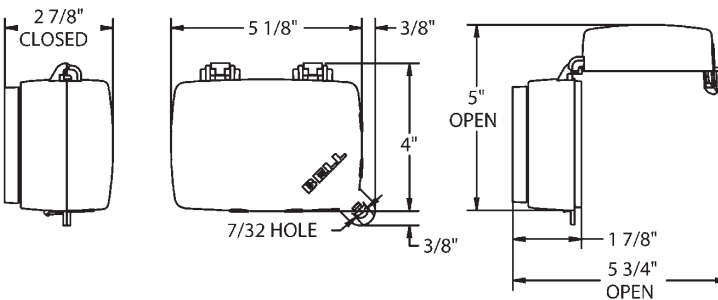
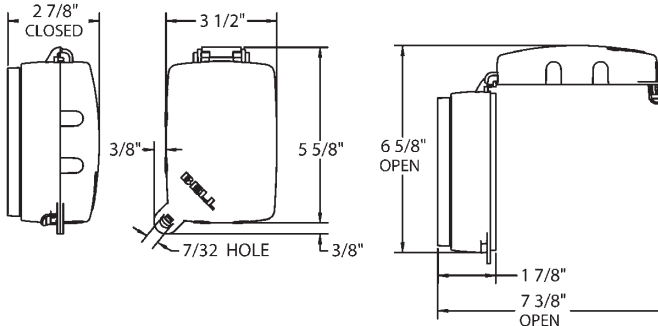


WEATHERPROOF BOXES, COVERS AND LIGHTING

ORDERING INFORMATION - DIMENSIONS

SINGLE-GANG – STANDARD DEPTH				
CATALOG NUMBER	RECEPTACLE TYPE	PKG. TYPE	STD. PKG.	UPC BAR CODE
5730-0	Single gang vertical cover with 4 plates included - for duplex, GFCI, toggle and single round receptacles 1.344, 1.406, 1.468, 1.593, 1.655, 1.719, 2.032 and 2.156 Dia.	Shrink	10	
5740-0	Single gang horizontal cover with 4 plates included - for duplex, GFCI, toggle and single round receptacles 1.344, 1.406, 1.468, 1.593, 1.655, 1.719, 2.032 and 2.156 Dia.	Shrink	10	

CAT. NOS. 5730-0, 5740-0




C16**RAYNTITE® M.R. SRT SINGLE-GANG WEATHERPROOF-WHILE-IN-USE COVERS****POLYCARBONATE****WEATHERPROOF BOXES,
COVERS AND LIGHTING****Application**

- Rayntite® M.R. SRT covers are designed for use whenever weatherproof protection is required while an outlet is in use

Product Features

- Modularity: 6 SKU's cover almost every application — no need to tie-up money and shelf space stocking multiple SKU's
- Unique snap fit design speeds installation. No more fumbling with open covers
- High-impact polycarbonate construction: Virtually indestructible
- No need to worry about rust and corrosion
- Tinted lid: Hides dust, dirt, and scratches
- Padlockable design: Prevents tampering and accidental disconnects
- Tri-lingual instructions: One product for all North American markets
- Covers can be either device or box mounted — allows for installation flexibility
- Meets NEC 406.8 (B) requirements — no need to worry about Code compliances

Compliances

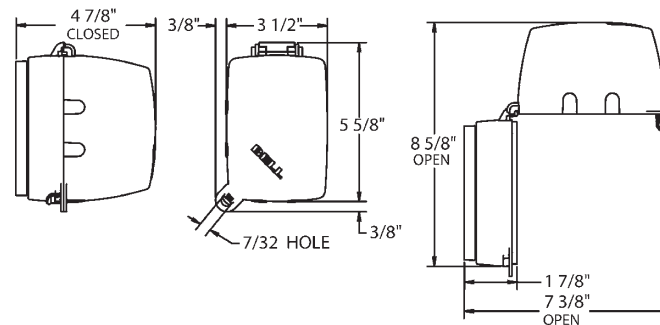
-  UL US
- NEMA 3R Rated
- Meets NEC 406.8 (B) Requirements

Reference Data

- Canadian Patent 2,092, 516
- United States Patents
5,981, 875
5,533, 637
5,456, 377
5,228, 584

**5735-0****ORDERING INFORMATION - DIMENSIONS****SINGLE-GANG – DEEP**

CATALOG NUMBER	RECEPTACLE TYPE	PKG. TYPE	STD. PKG.	UPC BAR CODE
5735-0	Single gang vertical cover- Deep with 4 plates included - for duplex, GFCI, toggle and single round receptacles 1.344, 1.406, 1.468, 1.593, 1.655, 1.719, 2.032 and 2.156 Dia.	Shrink	6	

CAT. NO. 5735-0

RAYNTITE® M.R. SRT TWO-GANG WEATHERPROOF-WHILE-IN-USE COVERS

POLYCARBONATE

Application

- Rayntite® M.R. SRT covers are designed for use whenever weatherproof protection is required while an outlet is in use

Product Features

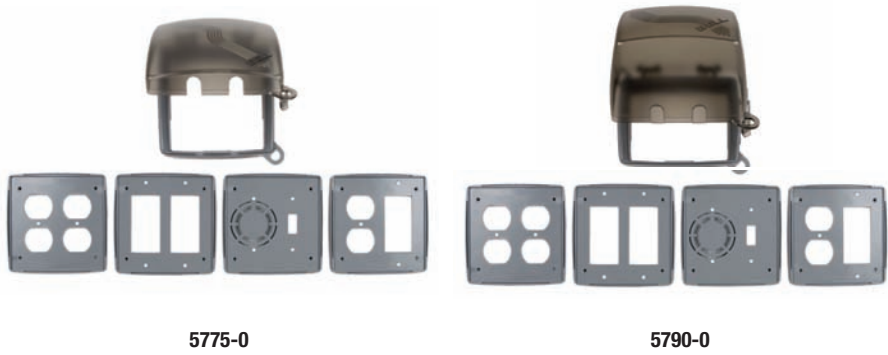
- Modularity: 6 SKU's cover almost every application — no need to tie-up money and shelf space stocking multiple SKU's
- Unique snap fit design speeds installation. No more fumbling with open covers
- Two-gang plates can be mounted vertically or horizontally
- High-impact polycarbonate construction: Virtually indestructible
- No need to worry about rust and corrosion
- Tinted lid: Hides dust, dirt, and scratches
- Padlockable design: Prevents tampering and accidental disconnects
- Tri-lingual instructions: One product for all North American markets
- Covers can be either device or box mounted — allows for installation flexibility
- Meets NEC 406.8 (B) requirements — no need to worry about Code compliances

Compliances

- cUL^{us}
- NEMA 3R Rated
- Meets NEC 406.8 (B) Requirements

Reference Data

- Canadian Patent 2,092, 516
- United States Patents
5,981, 875
5,533, 637
5,456, 377
5,228, 584



WEATHERPROOF BOXES,
COVERS AND LIGHTING

ORDERING INFORMATION - DIMENSIONS

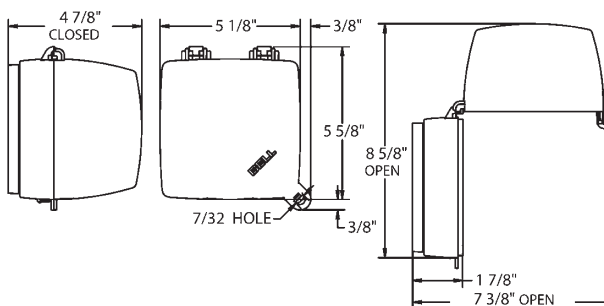
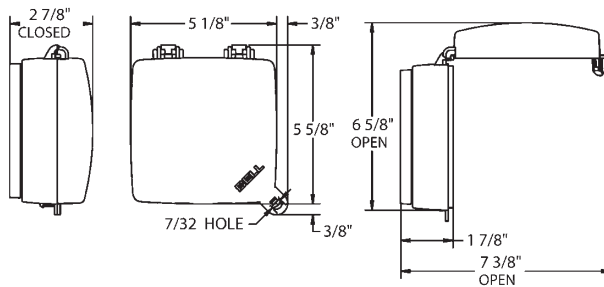
TWO-GANG – STANDARD DEPTH

CATALOG NUMBER	RECEPTACLE TYPE	PKG. TYPE	STD. PKG.	UPC BAR CODE
5775-0	Two-gang vertical cover- with 4 plates included - for duplex, and single round receptacles 1.344, 1.406, 1.468, 1.593, 1.655, 1.719, 2.032 and 2.156 Dia.	Shrink	5	

TWO-GANG – DEEP

CATALOG NUMBER	RECEPTACLE TYPE	PKG. TYPE	STD. PKG.	UPC BAR CODE
5790-0	Two-gang vertical cover- Deep with 4 plates included - for duplex, and single round receptacles 1.344, 1.406, 1.468, 1.593, 1.655, 1.719, 2.032 and 2.156 Dia.	Shrink	3	

GAT. NOS. 5775-0, 5790-0




C18**RAYNTITE® M.R. SRT TWO-GANG WEATHERPROOF-WHILE-IN-USE COVERS****POLYCARBONATE****WEATHERPROOF BOXES,
COVERS AND LIGHTING****Application**

- Rayntite® M.R. SRT covers are designed for use whenever weatherproof protection is required while an outlet is in use

Product Features

- Modularity: 6 SKU's cover almost every application — no need to tie-up money and shelf space stocking multiple SKU's
- Unique snap fit design speeds installation. No more fumbling with open covers
- Two-gang plates can be mounted vertically or horizontally
- High-impact polycarbonate construction: Virtually indestructible
- No need to worry about rust and corrosion
- Tinted lid: Hides dust, dirt, and scratches
- Padlockable design: Prevents tampering and accidental disconnects
- Tri-lingual instructions: One product for all North American markets
- Covers can be either device or box mounted — allows for installation flexibility
- Meets NEC 406.8 (B) requirements — no need to worry about Code compliances

Compliances

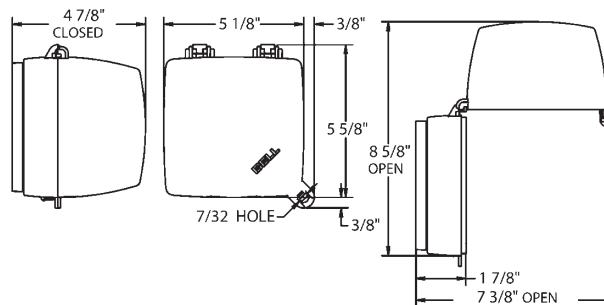
-  **UL US**
- NEMA 3R Rated
- Meets NEC 406.8 (B) Requirements

Reference Data

- Canadian Patent 2,092, 516
- United States Patents
5,981, 875
5,533, 637
5,456, 377
5,228, 584

**5795-0****ORDERING INFORMATION - DIMENSIONS**

TWO-GANG – DEEP				
CATALOG NUMBER	RECEPTACLE TYPE	PKG. TYPE	STD. PKG.	UPC BAR CODE
5795-0	Two-gang vertical cover-Deep with 2 plates included - for single round receptacles 1.344, 1.406, 1.468, 1.593, 1.655, 1.719, 2.032 and 2.156 Dia.	Shrink	3	

CAT. NOs. 5795-0

RAYNTITE® SINGLE-GANG DEVICE COVERS

DIE CAST ALUMINUM



Application

- For use whenever weatherproof protection is required for an outdoor receptacle

Product Features

- Rugged die cast construction
- State-of-the-art powder coat finish provides maximum weatherability and scratch resistance
- Self-closing lids assure weatherproof protection when the receptacle is not in use
- Vertical mount covers are padlockable
- May be mounted to box or device
- Includes installation hardware, gasket, and multi-lingual instructions

Compliances

-  – Standard 514A
-  – C22.2 No. 18
- NEMA 3R Rated



5001-0



5002-0



5026-0



5027-0



5028-0 TO 5028-6



5029-0, 5030-0



5031-0

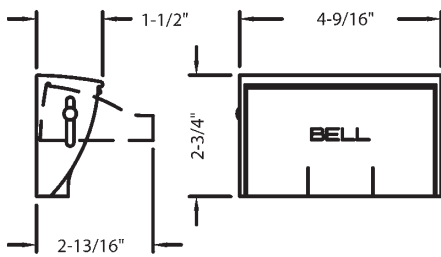
WEATHERPROOF BOXES,
COVERS AND LIGHTING

ORDERING INFORMATION - DIMENSIONS

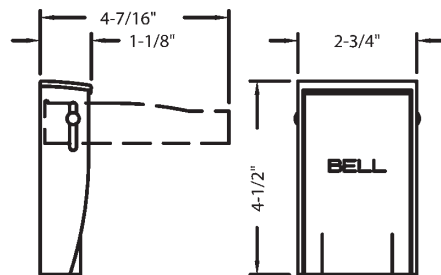
HORIZONTAL MOUNT					
CATALOG NUMBER	COLOR	RECEPTACLE TYPE	PKG. TYPE	STD. PKG.	UPC BAR CODE
5001-0	Gray	Duplex	Shrink	24	
5002-0	Gray	GFCI	Shrink	24	

VERTICAL MOUNT – PADLOCKABLE					
CATALOG NUMBER	COLOR	RECEPTACLE TYPE	PKG. TYPE	STD. PKG.	UPC BAR CODE
5026-0	Gray	Single, 1.593" diameter	Shrink	24	
5027-0	Gray	Duplex	Shrink	24	
5028-0	Gray	GFCI	Shrink	24	
5028-5	Gray	GFCI	Carded	6	
5028-6	White	GFCI	Carded	6	
5029-0	Gray	20A, 1.710" diameter	Shrink	12	
5030-0	Gray	30-50A, 2.150" diameter	Shrink	12	
5031-0	Gray	Single, 1.406" diameter	Shrink	12	

HORIZONTAL MOUNT COVERS



VERTICAL MOUNT COVERS



C20

RAYNTITE® TWO-GANG DEVICE COVERS

DIE CAST ALUMINUM

WEATHERPROOF BOXES, COVERS AND LIGHTING



Application

- For use whenever weatherproof protection is required for an outdoor receptacle

Product Features

- Rugged die cast construction
- State-of-the-art powder coat finish provides maximum weatherability and scratch resistance
- Self-closing lids assure weatherproof protection when the receptacle is not in use
- Covers are padlockable, 1/4" dia. hole
- May be mounted to box or device
- Includes installation hardware, gasket, and multi-lingual instructions

Compliances

-  – Standard 514A
-  – C22.2 No. 18
- NEMA 3R Rated

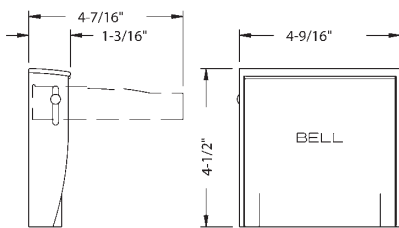


ORDERING INFORMATION - DIMENSIONS

VERTICAL MOUNT – PADLOCKABLE

CATALOG NUMBER	COLOR	DESCRIPTION	PKG. TYPE	STD. PKG.	UPC BAR CODE
5032-0	Gray	(2) Duplex	Shrink	6	
5033-0	Gray	(1) Duplex & (1) GFCI	Shrink	6	
5034-0	Gray	(1) 30-50A Receptacle 2.625" diameter	Shrink	6	
5036-0	Gray	(1) 30-50A Receptacle 2.156" diameter	Shrink	6	
5038-0	Gray	(2) Receptacles, 1.406" diameter	Shrink	6	
5040-0	Gray	(1) Single Receptacle, 1.406" diameter & (1) GFCI	Shrink	6	
5041-0	Gray	(2) Toggle	Shrink	6	
5042-0	Gray	(1) Toggle & (1) Duplex	Shrink	6	
5043-0	Gray	(1) Toggle & (1) GFCI	Shrink	6	
5045-0	Gray	(2) GFCI	Shrink	6	

TWO-GANG DEVICE COVERS



SINGLE-GANG DEVICE COVERS


Application

- For use whenever weatherproof protection is required for an outdoor receptacle

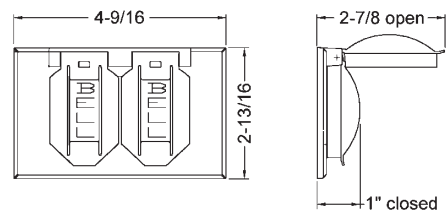
Product Features

- Rugged metallic construction
- State-of-the-art powder coat finish provides maximum weatherability and scratch resistance
- Self-closing lids assure weatherproof protection when the receptacle is not in use
- Includes installation hardware, gasket, and multi-lingual instructions

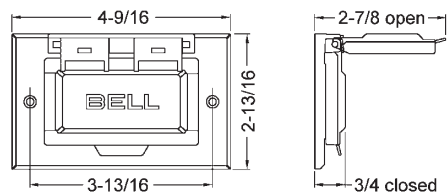
Compliances

-  - Standard 514A - C22.2 No. 18
- NEMA 3R Rated

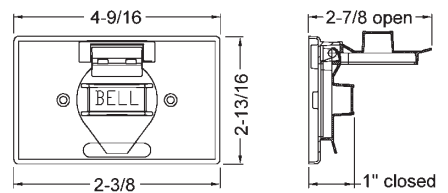
CAT. Nos. 5180-0 SERIES, 5712-5, 5094-0



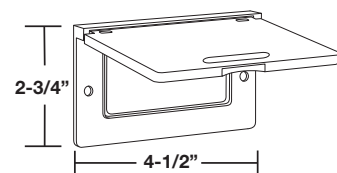
CAT. NO. 5101-0 SERIES



CAT. NO. 5152-0



CAT. NO. 5102-0



WEATHERPROOF BOXES, COVERS AND LIGHTING

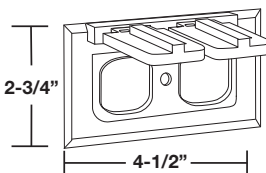
ORDERING INFORMATION - DIMENSIONS

HORIZONTAL - DEVICE MOUNT					
CATALOG NUMBER	COLOR	RECEPTACLE TYPE	PKG. TYPE	STD. PKG.	UPC BAR CODE
5180-0	Gray	Duplex	Shrink	24	
5180-1	White	Duplex	Shrink	24	
5180-2	Bronze	Duplex	Shrink	24	
5180-5	Gray	Duplex	Carded	6	
5180-6	White	Duplex	Carded	6	
5180-7	Bronze	Duplex	Carded	6	
5181-0	Gray	Duplex	Shrink	24	
5101-0*	Gray	GFCI	Shrink	24	
5101-1*	White	GFCI	Shrink	24	
5101-2*	Bronze	GFCI	Shrink	24	
5101-5*	Gray	GFCI	Carded	6	
5101-6*	White	GFCI	Carded	6	
5101-7*	Bronze	GFCI	Carded	6	
5102-0	Gray	GFCI	Shrink	24	
5152-0	Gray	Single, 1.406" diameter	Shrink	24	
5153-0	Gray	Motor plug base, 1.600" diameter, 125V, 15A wiring device included	Shrink	12	
5712-5*	Gray	125V, 15A Duplex receptacle included	Carded	6	

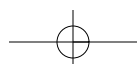
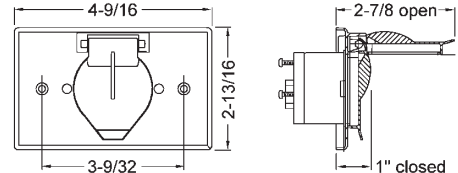
* C/UL Listed

HORIZONTAL - BOX MOUNT					
CATALOG NUMBER	COLOR	RECEPTACLE TYPE	PKG. TYPE	STD. PKG.	UPC BAR CODE
5094-0	Gray	Duplex	Shrink	24	

CAT. NO. 5181-0



CAT. NO. 5153-0



G22

DEVICE KITS



WEATHERPROOF BOXES,
COVERS AND LIGHTING**Application**

- For use in wet, damp, or dry locations

Product Features

- Each kit is a convenient, complete weatherproof installation — no need to purchase separate components
- Easy to follow multi-lingual instructions included

Compliances

-  – Standard 514A
-  – (5874 Series)



5839-5 TO 5839-7



5874-5 TO 5874-6

ORDERING INFORMATION - DIMENSIONS**DEVICE KITS – HORIZONTAL MOUNT**

CATALOG NUMBER	COLOR	RECEPTACLE TYPE	PKG. TYPE	STD. PKG.	UPC BAR CODE
5839-5	Gray	Duplex	Box	4	
5839-6	White	Duplex	Box	4	
5839-7	Bronze	Duplex	Box	4	
5874-5	Gray	GFCI	Box	4	
5874-6	White	GFCI	Box	4	

Includes 125V, 15A receptacle, single-gang box, cover and gasket

SINGLE-GANG DEVICE COVERS

Application

- For use whenever weatherproof protection is required for an outdoor receptacle

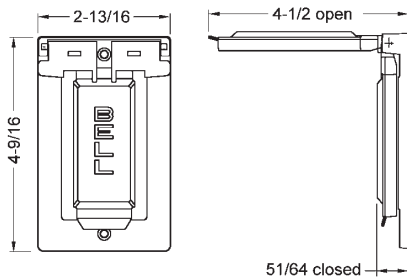
Product Features

- Rugged metallic construction
- State-of-the-art powder coat finish provides maximum weatherability and scratch resistance
- Self-closing lids assure weatherproof protection when the receptacle is not in use
- Includes installation hardware, gasket, and multi-lingual instructions

Compliances

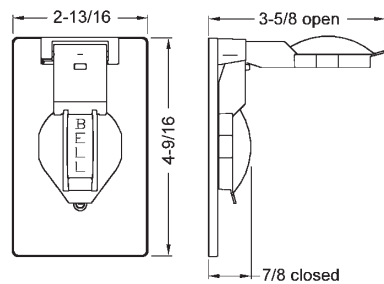
-  US
- NEMA 3R Rated

GFCI STYLE COVERS

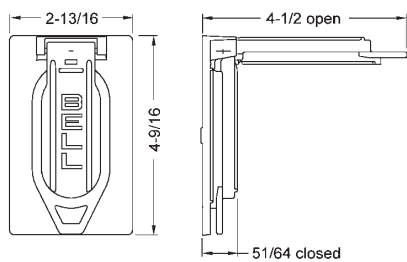


SINGLE RECEPTACLE STYLE COVERS

NOTE: DIMENSIONS FOR DEVICE-MOUNT AND BOX-MOUNT COVERS ARE THE SAME



DUPLEX STYLE COVER



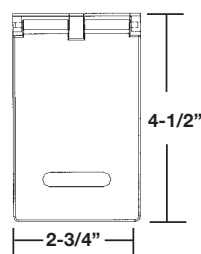
WEATHERPROOF BOXES, COVERS AND LIGHTING

ORDERING INFORMATION - DIMENSIONS

VERTICAL - DEVICE MOUNT					
CATALOG NUMBER	COLOR	RECEPTACLE TYPE	PKG. TYPE	STD. PKG.	UPC BAR CODE
5146-0	Gray	Duplex	Shrink	24	
5146-1	White	Duplex	Shrink	24	
5146-5	Gray	Duplex	Carded	6	
5147-0	Gray	Duplex	Shrink	24	
5103-0	Gray	GFCI	Shrink	24	
5103-1	White	GFCI	Shrink	24	
5103-2	Bronze	GFCI	Shrink	24	
5103-5	Gray	GFCI	Carded	6	
5103-6	White	GFCI	Carded	6	
5103-7	Bronze	GFCI	Carded	6	
5104-0	Gray	GFCI	Shrink	24	
5155-0	Gray	Single, 1.406" diameter	Shrink	24	
5155-1	White	Single, 1.406" diameter	Shrink	24	
5155-2	Bronze	Single, 1.406" diameter	Shrink	24	
5155-5	Gray	Single, 1.406" diameter	Carded	6	
5155-6	White	Single, 1.406" diameter	Carded	6	

VERTICAL - BOX MOUNT					
CATALOG NUMBER	COLOR	RECEPTACLE TYPE	PKG. TYPE	STD. PKG.	UPC BAR CODE
5095-0	Gray	Duplex	Shrink	24	
5091-0	Gray	Single, 1.406" diameter	Shrink	24	

CAT. NO. 5104-0, 5147-0



C24

SINGLE-GANG BLANK COVERS AND MINI-PLATE

WEATHERPROOF BOXES, COVERS AND LIGHTING

Blank Covers Application

- For use whenever weatherproof protection is required for a single-gang box

Blank Covers Product Features

- Rugged metallic construction
- State-of-the-art powder coat finish provides maximum weatherability and scratch resistance

Blank Covers Compliances

-  US
- NEMA 3R Rated

Mini-Plate Applications

- For use with light poles
- Provides a safe and convenient means of accessing power for holiday lighting, power tools, and the like

Mini-Plate Product Features

- Rugged metallic construction
- State-of-the-art powder coat finish provides maximum weatherability and scratch resistance
- Self-closing lid assures weatherproof protection when receptacle is not in use
- Includes installation hardware and receptacle



5173-0 TO 5173-7



5174-0



5183-0

ORDERING INFORMATION - DIMENSIONS

BLANK COVERS – DEVICE MOUNT

CATALOG NUMBER	COLOR	DESCRIPTION	PKG. TYPE	STD. PKG.	UPC BAR CODE
5173-0	Gray	Blank Cover	Shrink	50	
5173-1	White	Blank Cover	Shrink	50	
5173-5	Gray	Blank Cover	Carded	12	
5173-6	White	Blank Cover	Carded	12	
5173-7	Bronze	Blank Cover	Carded	12	

BLANK COVERS – BOX MOUNT

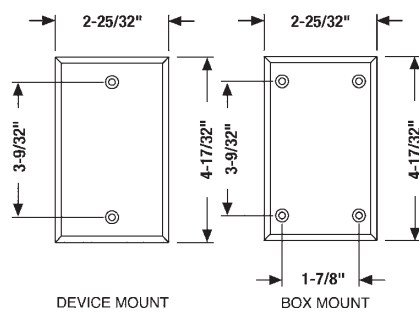
CATALOG NUMBER	COLOR	DESCRIPTION	PKG. TYPE	STD. PKG.	UPC BAR CODE
5174-0	Gray	Blank Cover	Shrink	50	

MINI-PLATE

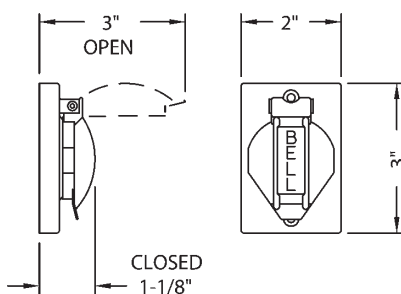
CATALOG NUMBER	COLOR	DESCRIPTION	PKG. TYPE	STD. PKG.	UPC BAR CODE
5183-0	Black	Curved back, 1-1/2" radius - for 3" dia. pole mounting	Shrink	48	

Includes 125V, 15A 3-wire receptacle

BLANK COVERS



MINI-PLATE



TWO-GANG DEVICE COVERS

Application

- For use whenever weatherproof protection is required for an outdoor receptacle

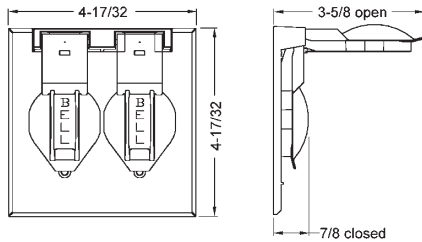
Product Features

- Rugged metallic construction
- State-of-the-art powder coat finish provides maximum weatherability and scratch resistance
- Self-closing lids assure weatherproof protection when the receptacle is not in use
- Includes installation hardware, gasket, and multi-lingual instructions

Compliances

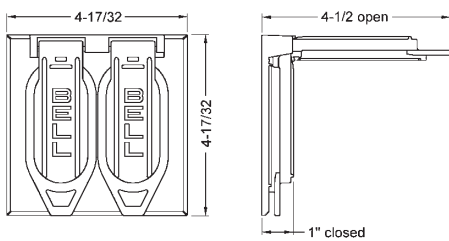
- - Standard 514A (5132 - 5145)
- - C22.2 (5132 - 5145)
- NEMA 3R Rated

5157-0, 5092-0

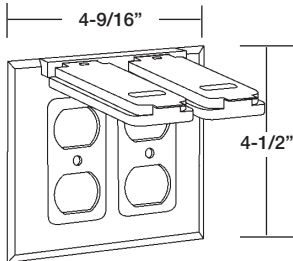


TWO-GANG DEVICE COVERS

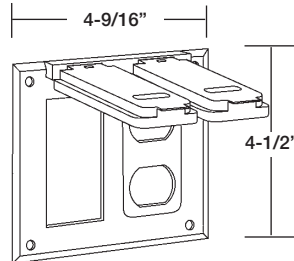
5148-0 SERIES, 5096-0, 5160-0, 5098-0



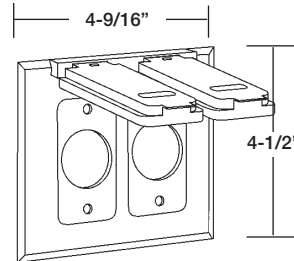
5132-0



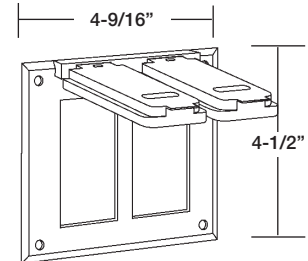
5133-0



5138-0



5145-0



NOTE: DIMENSIONS ARE THE SAME FOR DEVICE MOUNT AND BOX MOUNT STYLES SHOWN. 5157-0 SERIES, 5092-0



WEATHERPROOF BOXES, COVERS AND LIGHTING

ORDERING INFORMATION - DIMENSIONS

DEVICE MOUNT					
CATALOG NUMBER	COLOR	RECEPTACLE TYPE	PKG. TYPE	STD. PKG.	UPC BAR CODE
5132-0	Gray	(2) Duplex	Shrink	10	
5138-0	Gray	(2) Round, 1.406" Dia.	Shrink	10	
5148-0	Gray	(2) Duplex	Shrink	18	
5148-5	Gray	(2) Duplex	Carded	4	
5157-0	Gray	(2) Single, 1.406" dia.	Shrink	18	
5160-0	Gray	(1) Duplex & (1) Single, 1.406" dia.	Shrink	12	

BOX MOUNT					
CATALOG NUMBER	COLOR	RECEPTACLE TYPE	PKG. TYPE	STD. PKG.	UPC BAR CODE
5096-0	Gray	(2) Duplex	Shrink	12	
5092-0	Gray	(2) Single, 1.406" dia.	Shrink	12	
5098-0	Gray	(1) Duplex & (1) Single, 1.406" dia.	Shrink	12	
5133-0	Gray	(1) Duplex, (1) GFCI	Shrink	10	
5145-0	Gray	(2) GFCI	Shrink	10	



C26

TWO AND THREE GANG DEVICE COVERS

WEATHERPROOF BOXES, COVERS AND LIGHTING

Applications

- For use whenever weatherproof protection is required for an outdoor receptacle
- Blank covers for use whenever weatherproof protection is required for a multi-gang box

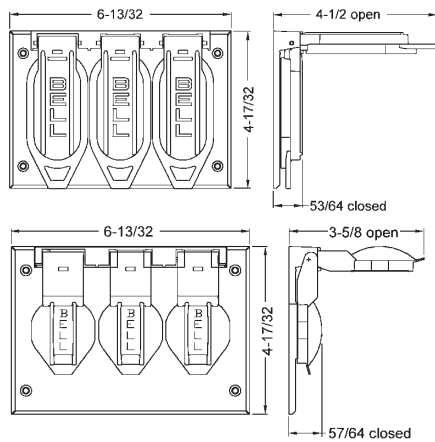
Product Features

- Rugged metallic construction
- State-of-the-art powder coat finish provides maximum weatherability and scratch resistance
- Self-closing lids assure weatherproof protection when the receptacle is not in use
- Includes installation hardware, gasket, and multi-lingual instructions

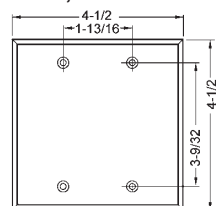
Compliances

-  US
- NEMA 3R Rated

THREE-GANG DEVICE COVERS 5097-0 AND 5093-0



BLANK COVERS 5177-0, 5175 SERIES



NOTE: DIMENSIONS ARE THE SAME FOR DEVICE MOUNT AND BOX MOUNT STYLES SHOWN.



ORDERING INFORMATION - DIMENSIONS

THREE-GANG DEVICE COVER – BOX MOUNT					
CATALOG NUMBER	COLOR	DESCRIPTION	PKG. TYPE	STD. PKG.	UPC BAR CODE
5097-0	Gray	(3) Duplex	Boxed	1	
5093-0	Gray	(3) Single, 1.406" dia.	Boxed	1	

THREE-GANG BLANK COVER – BOX MOUNT					
CATALOG NUMBER	COLOR	DESCRIPTION	PKG. TYPE	STD. PKG.	UPC BAR CODE
5177-0	Gray	Blank Cover	Boxed	10	

TWO-GANG BLANK COVER – DEVICE MOUNT					
CATALOG NUMBER	COLOR	DESCRIPTION	PKG. TYPE	STD. PKG.	UPC BAR CODE
5175-0	Gray	Blank Cover	Shrink	25	
5175-1	White	Blank Cover	Shrink	25	
5175-2	Bronze	Blank Cover	Shrink	25	
5175-5	Gray	Blank Cover	Carded	6	



SINGLE-GANG LEVER SWITCH COVERS

Application

- For use whenever weatherproof protection is required for an “on-off” type switch

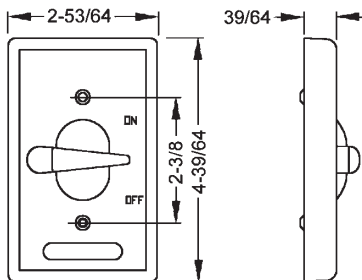
Product Features

- Rugged metallic construction
- State-of-the-art powder coat finish provides maximum weatherability and scratch resistance
- Includes installation hardware and multi-lingual instructions.
- Single-gang covers are supplied with a switch — no need to purchase separate components
- Switch/cover units are supplied with the switch unassembled to the cover

Compliances

-  – Standard 514A
-  – Certified
- NEMA 3R Rated

SINGLE-GANG
5121 SERIES
5141 SERIES
CAT. NOS. 5128-0, 5137-0



5121-0 TO 5121-5
 5141-0 TO 5141-5
 5128-0, 5137-0

WEATHERPROOF BOXES,
COVERS AND LIGHTING

ORDERING INFORMATION - DIMENSIONS

SINGLE-GANG SWITCH COVERS – VERTICAL – DEVICE MOUNTED					
CATALOG NUMBER	COLOR	DESCRIPTION	PKG. TYPE	STD. PKG.	UPC BAR CODE
5121-0	Gray	SP 125V, 10A	Shrink	24	
5121-1	White	SP 125V, 10A	Shrink	24	
5121-2	Bronze	SP 125V, 10A	Shrink	24	
5121-5	Gray	SP 125V, 10A	Carded	6	
5141-0	Gray	3-Way 125V, 6A or 250V, 3A	Shrink	8	
5141-5	Gray	3-Way 125V, 6A or 250V, 3A	Carded	6	
5128-0	Gray	SP 120-277VAC, 20A	Shrink	20	
5137-0	Gray	DP 120-277VAC, 20A	Shrink	20	



C28

TWO-GANG LEVER SWITCH COVERS

WEATHERPROOF BOXES, COVERS AND LIGHTING

Application

- For use whenever weatherproof protection is required for an “on-off” type switch

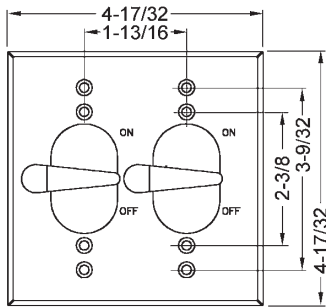
Product Features

- Rugged metallic construction
- State-of-the-art powder coat finish provides maximum weatherability and scratch resistance
- Includes installation hardware and multi-lingual instructions.
- Most units supplied with a switch — no need to purchase separate components
- Switch/cover units are supplied with the switch unassembled to the cover

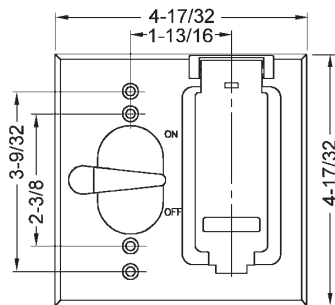
Compliances

-  – Standard 514A
-  – Certified
- NEMA 3R Rated

TWO-GANG CAT. NO. 5124-0, 5125 SERIES



TWO-GANG 5166 SERIES



5124-0



5166-0 TO 5166-5



5125-0



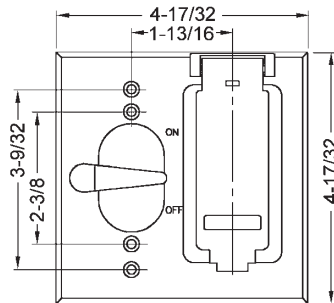
5167-0

ORDERING INFORMATION - DIMENSIONS

TWO-GANG SWITCH COVERS – DEVICE MOUNTED

CATALOG NUMBER	COLOR	DESCRIPTION	PKG. TYPE	STD. PKG.	UPC BAR CODE
5124-0	Gray	(2) SP 125V, 10A	Shrink	8	
5125-0	Gray	Cover only	Shrink	8	
5166-0	Gray	(1) SP 125V, 10A & (1) Duplex receptacle	Shrink	8	
5166-5	Gray	(1) SP 125V, 10A & (1) Duplex receptacle	Carded	4	
5167-0	Gray	2 Gang, Switch/GFCI Cover box mount	Shrink	8	

TWO-GANG 5167 SERIES



THREE-GANG LEVER SWITCH COVER & REPLACEMENT SWITCH

Three-Gang Lever Switch Cover Application

- For use whenever weatherproof protection is required for an “on-off” type switch

Three-Gang Lever Switch Cover Product Features

- Rugged metallic construction
- State-of-the-art powder coat finish provides maximum weatherability and scratch resistance
- Includes installation hardware and multi-lingual instructions.
- Three-gang cover is supplied with switches — no need to purchase separate components
- Switch/cover units are supplied with the switch unassembled to the cover

Three-Gang Lever Switch Cover Compliances

-  UL
- NEMA 3R Rated (5126-0 only)



5126-0



5201-0

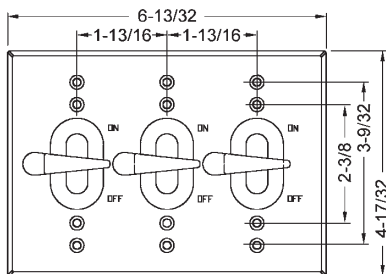
WEATHERPROOF BOXES, COVERS AND LIGHTING

ORDERING INFORMATION - DIMENSIONS

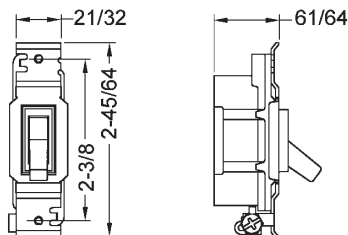
THREE-GANG SWITCH COVER – DEVICE MOUNT					
CATALOG NUMBER	COLOR	DESCRIPTION	PKG. TYPE	STD. PKG.	UPC BAR CODE
5126-0	Gray	(3) SP 125V, 10A	Boxed	1	

LEVER SWITCH COVER – ACCESSORIES					
CATALOG NUMBER	COLOR	DESCRIPTION	PKG. TYPE	STD. PKG.	UPC BAR CODE
5201-0	—	SP 125V, 10A Toggle switch	Polybag	10	

THREE-GANG CATALOG NO. 5126-0



TOGGLE SWITCH CATALOG NOs. 5201-0



C30

CLUSTER COVERS

DIE CAST

WEATHERPROOF BOXES, COVERS AND LIGHTING



Applications

- For use with Bell® single-gang rectangular or round weather-proof boxes
- Cluster covers provide an easy means of mounting Bell® lampholders and other accessories

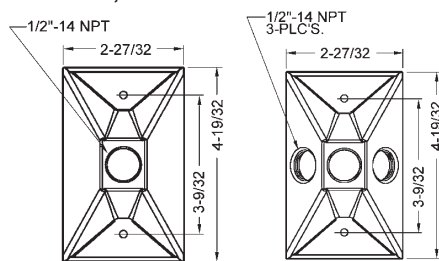
Product Features

- Rugged die cast construction
- State-of-the-art powder coat finish provides maximum weatherability and scratch-resistance
- Includes installation hardware, gasket, and multi-lingual instructions
- Three-hole covers are supplied with two closure plugs

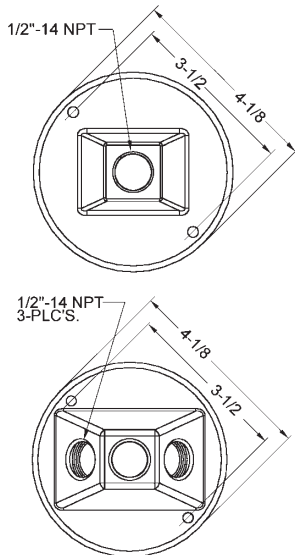
Compliances

-  - Standard 514A
-  - Certified - C22.2 #18

RECTANGULAR CLUSTER COVERS 5186 SERIES, 5189 SERIES



ROUND CLUSTER COVERS 5193 SERIES, 5197 SERIES



5186-0 TO 5186-7



5193-0 TO 5193-7



5189-0 TO 5189-7



5197-0 TO 5197-7

ORDERING INFORMATION - DIMENSIONS

RECTANGULAR CLUSTER – COVERS

CATALOG NUMBER	COLOR	DESCRIPTION	PKG. TYPE	STD. PKG.	UPC BAR CODE
5186-0	Gray	1-1/2" Outlet	Shrink	20	
5186-1	White	1-1/2" Outlet	Shrink	20	
5186-2	Bronze	1-1/2" Outlet	Shrink	20	
5186-5	Gray	1-1/2" Outlet	Carded	6	
5186-6	White	1-1/2" Outlet	Carded	6	
5186-7	Bronze	1-1/2" Outlet	Carded	6	
5189-0	Gray	3-1/2" Outlets	Shrink	20	
5189-1	White	3-1/2" Outlets	Shrink	20	
5189-2	Bronze	3-1/2" Outlets	Shrink	20	
5189-5	Gray	3-1/2" Outlets	Carded	6	
5189-6	White	3-1/2" Outlets	Carded	6	
5189-7	Bronze	3-1/2" Outlets	Carded	6	

4" ROUND CLUSTER – COVERS

CATALOG NUMBER	COLOR	DESCRIPTION	PKG. TYPE	STD. PKG.	UPC BAR CODE
5193-0	Gray	1-1/2" Outlet	Shrink	20	
5193-1	White	1-1/2" Outlet	Shrink	20	
5193-2	Bronze	1-1/2" Outlet	Shrink	20	
5193-5	Gray	1-1/2" Outlet	Carded	6	
5193-6	White	1-1/2" Outlet	Carded	6	
5193-7	Bronze	1-1/2" Outlet	Carded	6	
5197-0	Gray	3-1/2" Outlets	Shrink	20	
5197-1	White	3-1/2" Outlets	Shrink	20	
5197-2	Bronze	3-1/2" Outlets	Shrink	20	
5197-5	Gray	3-1/2" Outlets	Carded	6	
5197-6	White	3-1/2" Outlets	Carded	6	
5197-7	Bronze	3-1/2" Outlets	Carded	6	

